

EXCEPTIONAL HYGIENE

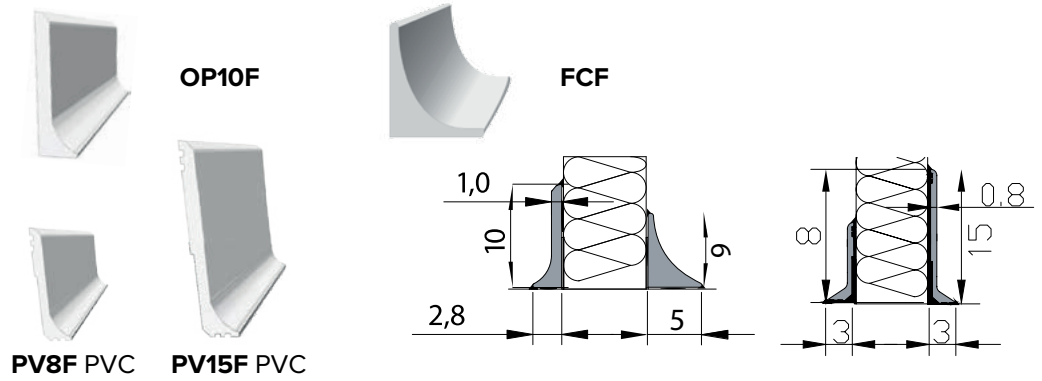


**Hygienic
Wall Protection**

POLYSTO SANICOAT COVERED SKIRTINGS AND KERBS PROTECTION LEVEL 1 - 4



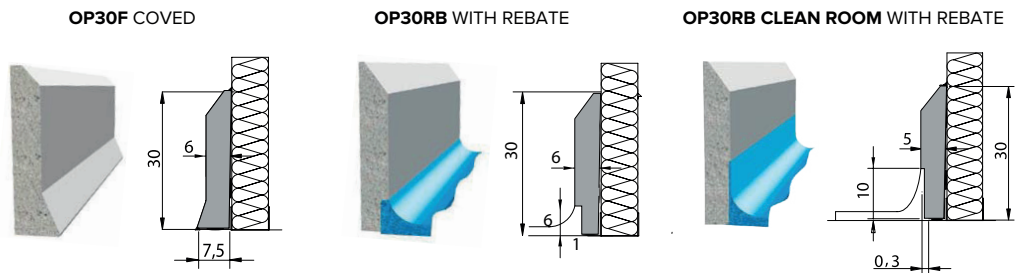
PROTECTION LEVEL 1



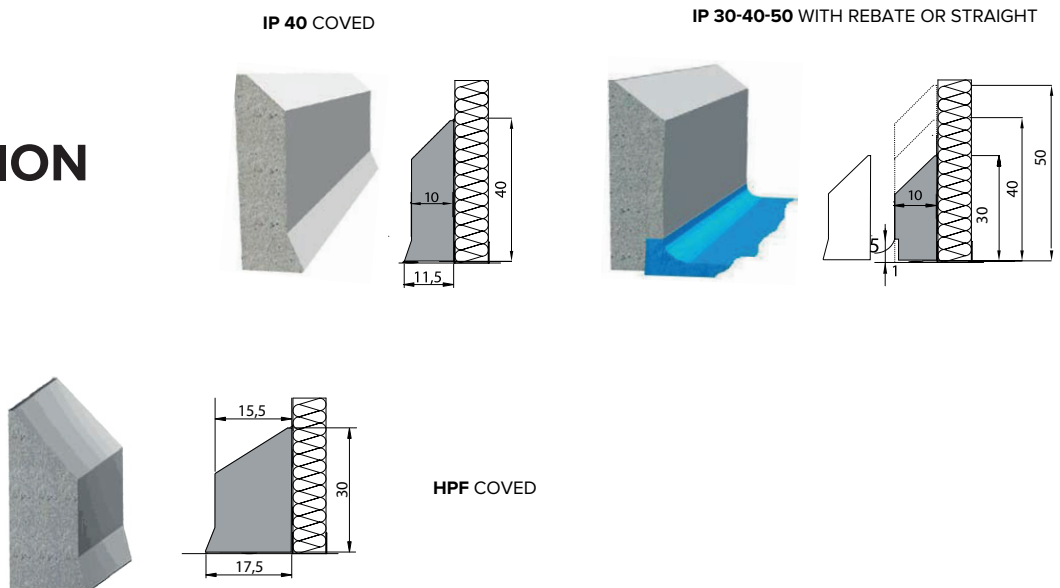
PROTECTION LEVEL 2



PROTECTION LEVEL 3



PROTECTION LEVEL 4



MATERIALS - NATURAL, SANICOAT OR STAINLESS STEEL

NATURAL

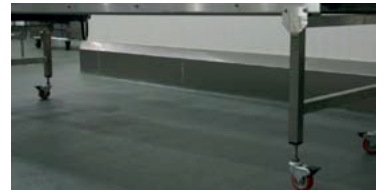
PolySto Natural kerbs are the perfect food safe kerbs, they are smooth, impact and water resistant. These kerbs are purely made of polymer composite without extra coating which makes them stronger and more economically

SANICOAT

PolySto Sanicoat is an impact resistant, smooth gelcoat which is resistant to continuous water exposure. PolySto Sanicoat is very easy to clean with all regular food and clean room industry cleaning products.

STAINLESS STEEL

The complete PolySto range is available in high quality AISI 304L Stainless Steel finish. Any other thickness or quality is available on demand. End pieces and corners are pre welded for a perfect and smooth finish.



INSTALLATION - MAINTENANCE - ACCESSORIES



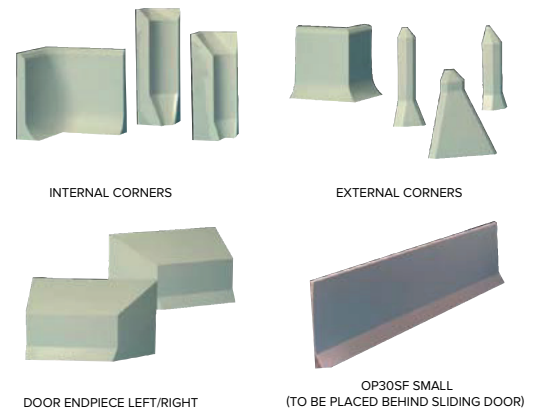
Save time and money!

Open your factory faster by using the unique quick installed PolySto prefab system.



Easy maintenance and repairs!

Complete set of products to maintain your PolySto kerbs in the future.



PolySto Hard Fix Glue: Hybrid polymer adhesive - fast drying, flexible, very strong, anti-mold and water proof.

PolySto Chemfix: A very strong 2-component epoxy adhesive to anchor PolySto kerbs, posts and barriers.

PolySto Sanicoat or Stainless Steel Cleaner: To maintain PolySto covered skirtings and kerbs.

PolySto Repair Kit: A 2-component gelcoat kit to repair PolySto Sanicoat kerbs.

FOOD SAFE SEALANT - HYGISEAL

PolySto Food Safe Sealant

1-component, ready to use neutral sealant with extra spectrum fungicide for a longer lifespan. Available in white - transparent (grey) - Stainless Steel RAL 9002



POLYSTO OP30F INSTALLED ON A CONCRETE FLOOR FINISHED WITH FOOD SAFE SEALANT

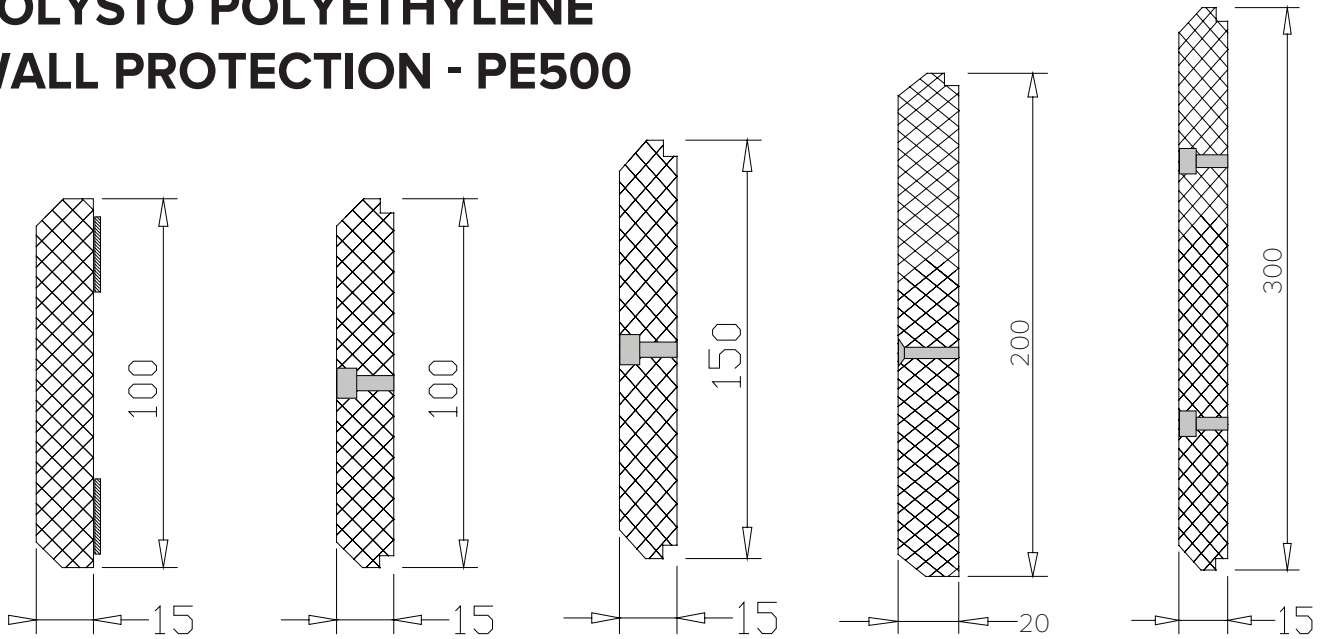
PolySto Hygiseal (chemical welding) creates a seamless transition by using a 2-component system which provides a very strong bond.

Available in white - RAL 9002 - Grey
Flexibility: 15%



POLYSTO OP30RB SANICOAT WITH EPOXY FLOOR COVING APPLIED INTO A REBATE AND FINISHED WITH POLYSTO HYGISEAL.

POLYSTO POLYETHYLENE WALL PROTECTION - PE500



FIXED WITH SELF ADHESIVE TAPE OR STAINLESS STEEL SCREWS WITH COVER CAPS.
 OUR POLYSTO POLYETHYLENE WALL PROTECTION IS AVAILABLE IN ALL DIMENSIONS AND RAL-COLOURS.

QUALITY: MINIMUM PE500



POLYSTO OP20F INSTALLED ON A CONCRETE FLOOR WITH PE STRIP.

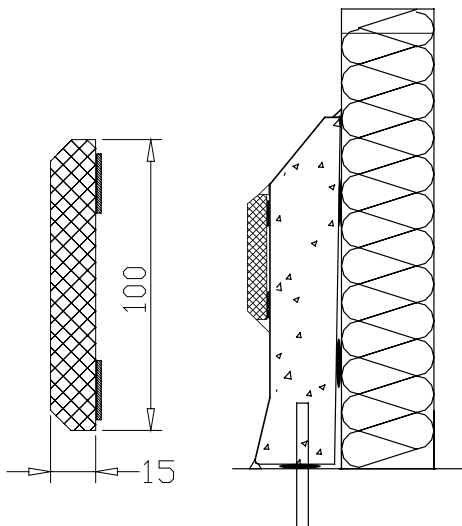


POLYSTO OP30RB (OPTIONAL EXTREME IMPACT) WITH EPOXY FLOOR COVING APPLIED IN TO A REBATE AND RED AND BLUE PE WALL STRIPS.

POLYSTO EXTREME IMPACT



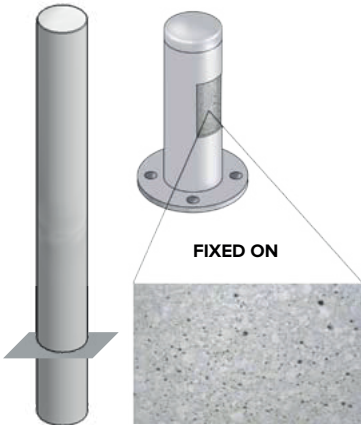
POLYSTO OP30F INSTALLED ON A TILED FLOOR WITH OPTIONAL EXTREME IMPACT (SELFADHESIVE).



A polyethylene strip installed on a kerb is the perfect heavy impact protection for areas with high internal traffic and constant impacts.

A polyethylene strip can quickly be fitted to our PolySto kerbs using the selfadhesive tape on the back of the strip or by mechanical fix using stainless steel screws

POLYSTO STAINLESS STEEL SAFETY POSTS



BUILT INT

Protect your building, doors and other important fixtures by fitting PolySto Stainless Steel safety posts.

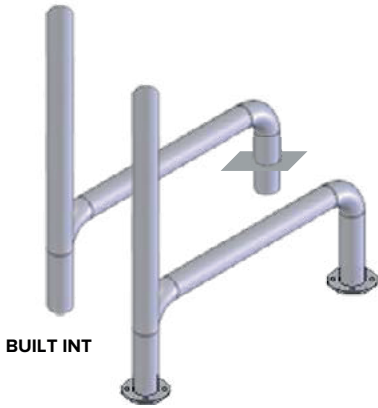
PolySto Stainless Steel posts and barriers can be filled with Polymer Composite or concrete to provide extra protection against heavy impacts.

Finishing: Matt - gloss - brushed



POLYSTO BUILT IN STAINLESS STEEL POSTS AND OPI0F INSTALLED ON A CONCRETE FLOOR.

POLYSTO STAINLESS STEEL SAFETY BARRIERS



BUILT INT

FIXED ON

PolySto Stainless Steel barriers provide the perfect protection for sliding doors and gates.

Quality: AISI 304L

Standard diameter: 104 mm and 204 mm



Other dimensions are possible!

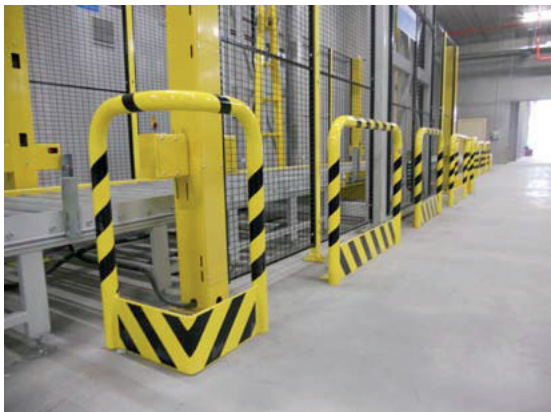
Finishing: Matt - gloss - brushed



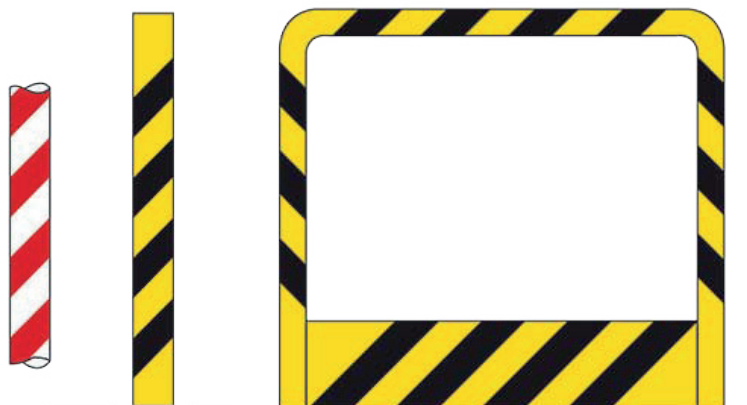
POLYSTO BUILT IN STAINLESS STEEL POSTS AND BARRIER AND OP30RB SANICOAT WITH GRANITE FLOOR COVING APPLIED INTO A REBATE.

POLYSTO IMPACT PREVENTION SYSTEMS

PolySto's impact prevention systems protect your important fixtures using technically advanced and aesthetically attractive solutions. The surfaces of all our safety devices are rust-proof and finished in special weather resistant paints. High-reflection colours ensure maximum visibility even at night. And stability is guaranteed by robust anchoring systems.



POLYSTO PMA (LEFT) AND PML (RIGHT) INSTALLED ON A CONCRETE FLOOR.



CHARACTERISTICS



Time saving



Impact resistant



Save money



Food Safe (HACCP)



Easy to clean



Water proof



Fire retardant



Repairable



Chemical resistant



Prefab system



Frost resistant



All possible RAL colors



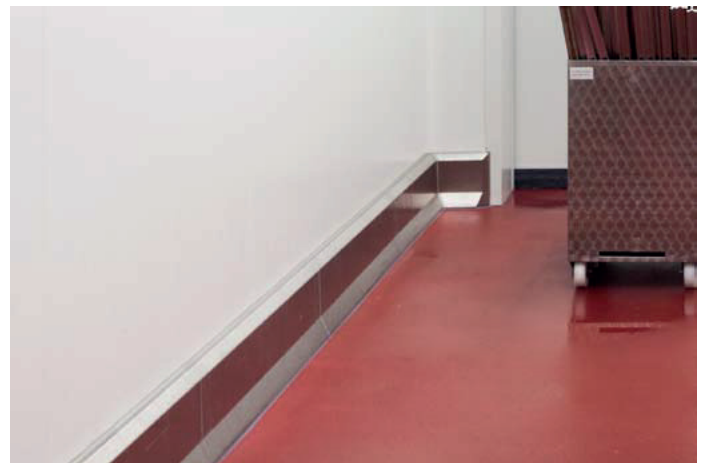
Place saving

APPLICATIONS

Meat Processing Industry - Abbatoirs - Fish Processing Industry - Dairy Industry - Beverage Industry - Fruit and Vegetable Industry - Confectionary Industry - Supermarkets - Freezers - Logistics - Catering - Retail Shops - Restaurants - Pharmaceutical Industry - Hospitals - Industrial Bakeries - Cosmetics - Tobacco - Chemical Industry - Blast Freezers - Electronical industry,...



POLYSTO IP40F SANICOAT INSTALLED ON A CONCRETE FLOOR AND STAINLESS STEEL POSTS AND BARRIER BUILT IN A CONCRETE FLOOR.



POLYSTO OP20F STAINLESS STEEL INSTALLED ON AN EPOXY FLOOR.




POLYSTO OP30F, OP30SF SANICOAT AND POLYURETHANE POST INSTALLED ON AN EPOXY FLOOR.



POLYSTO OP30RB WITH GRANITE FLOOR COVING APPLIED INTO A REBATE.

EXCEPTIONAL HYGIENE

 Saudi Arabia, P.O Box 53407,
Jeddah 21583 Al Khayat Tower,
Office No. 230

 +966 12 66 333 18
 +966 12 66 332 38
 info@exceptionalco.com

 www.exceptionalco.com